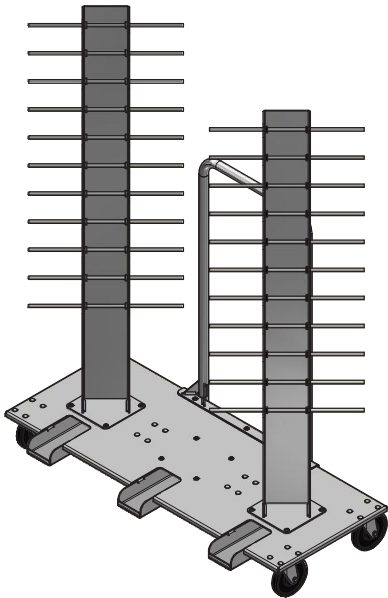


ZONO™ PC 2M 22 Pad Cart 2 Masts for 22 Pads

THE INTEGRATED MOBILE CART SYSTEM MAKES LOADING AND UNLOADING AS EASY AS 1. 2. 3.

EASE OF USE FEATURES



ERGONOMIC	The Integrated Mobile Cart System alleviates the need for bending and lifting.
MOBILE	Rolling carts provide full range of mobility throughout your facility.
EFFICIENT	While one set of carts are in use, prepare your next set for the next cycle.
PROTECTIVE	Roll sanitized objects back to users. No touching or sorting; prevent re-contamination
STORAGE	Use carts as space saving storage when not in use for disinfecting and sanitizing.
SUITABLE ITEMS	Shoulder pads!

SPECIFICATIONS

- Dimensions: 61 7/8" H x 45" W x 21 7/16" D
- Capacity: 22 pads
- Material: Aluminum
- Proudly made in the USA in a U.S. EPA registered facility.
- Great for use in Sports and Public Safety.

WHERE IT CAN BE USED

- ZONO™ SC 2** Fits 1 PC 2M 22
ZONO™ SC 2 DD Fits 2 PC 2M 22's

OPTIONAL ACCESSORIES

HM Helmet Mast - For football, a middle mast can be ordered as an option to nest between each existing pad mast and hold up to 18 helmets.

