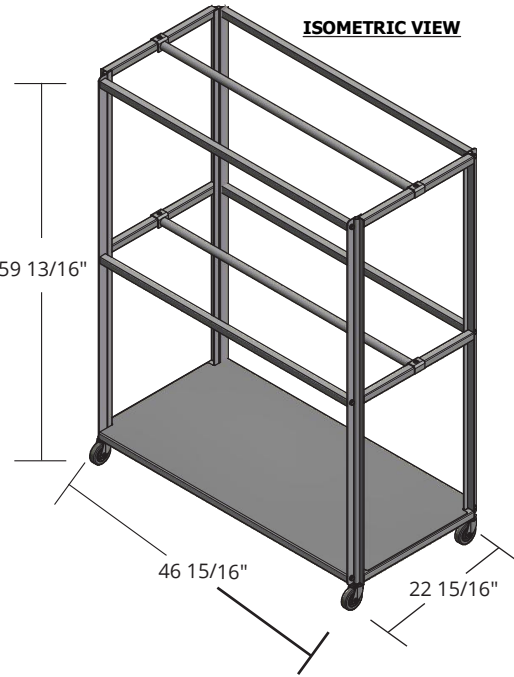


ZONO™ GC Garment Cart

THE INTEGRATED MOBILE CART SYSTEM MAKES LOADING AND UNLOADING AS EASY AS 1. 2. 3.

ISOMETRIC VIEW



EASE OF USE FEATURES

- ERGONOMIC** The Integrated Mobile Cart System alleviates the need for bending and lifting.
- MOBILE** Rolling carts provide full range of mobility throughout your facility.
- EFFICIENT** While one set of carts are in use, prepare your next set for the next cycle.
- PROTECTIVE** Roll sanitized objects back to users. No touching or sorting; prevent re-contamination
- STORAGE** Use carts as space saving storage when not in use for disinfecting and sanitizing.
- SUITABLE ITEMS** Jerseys, jackets, coats, vests, and other garments!

SPECIFICATIONS

- Dimensions: 59 13/16" H x 46 15/16" W x 22 15/16" D
- Material: Aluminum
- Proudly made in the USA in a U.S. EPA registered facility.
- Great for use in Sports, Public Safety, Military, Theatres, Theme Parks and more!
- 5" casters include support up to 1,320 lbs.
- Material: Durable zinc plated metal with black epoxy coating.
- Commercial-grade construction.
- Easy to assemble
- Adjustable height wire shelves promote airflow.
- Multi-functional use.

WHERE IT CAN BE USED

- ZONO™ SC 2** Fits 1 GC
- ZONO™ SC 2 DD** Fits 2 GC's

- ZONO SC 2** Fits 1 4S M UC's
- ZONO SC 2 DD** Fits 2 4S M UC's

- ZONO SC 2** Fits 1 4S W UC
- ZONO SC 2 DD** Fits 2 4S W UC's

